

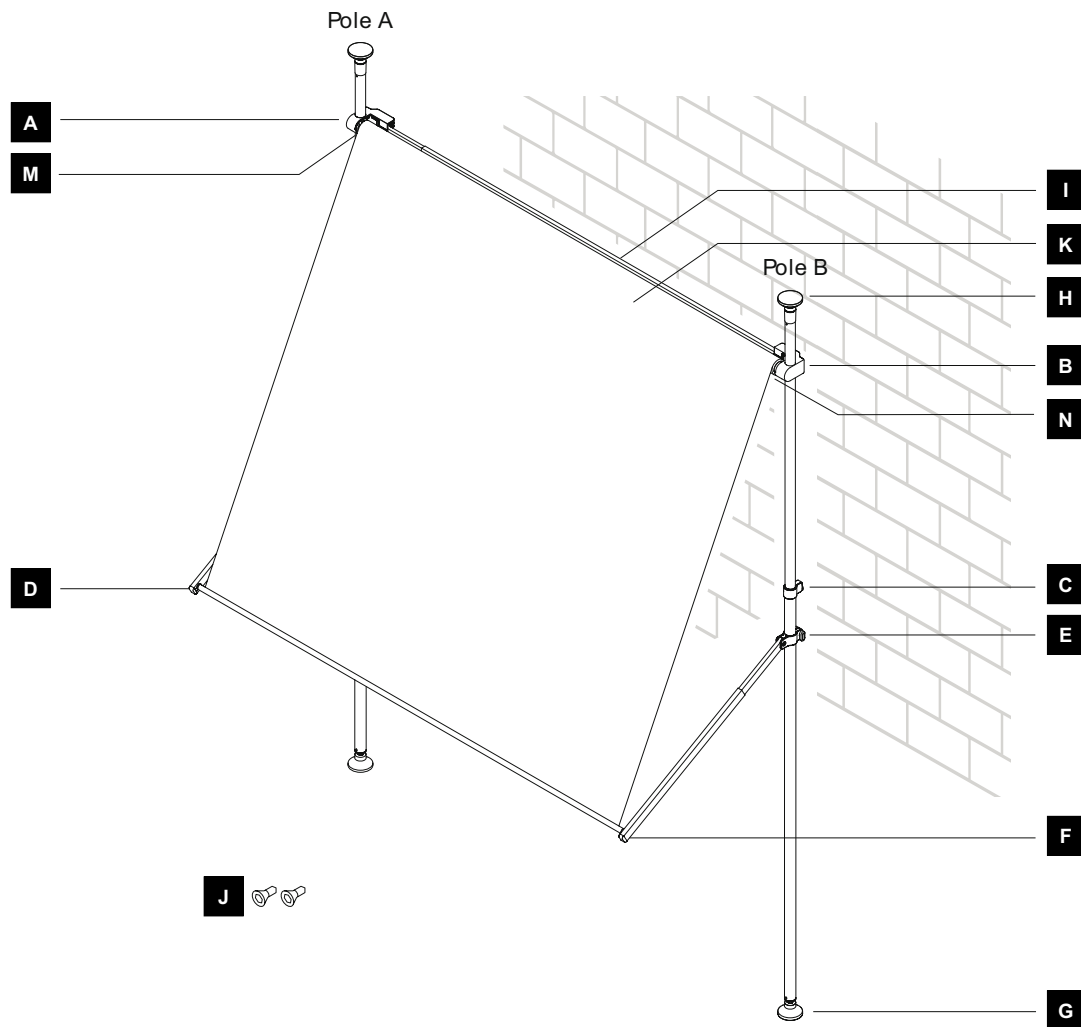
A FLEX FRAME IN COMBINATION WITH A ROLLER BLIND (Roller blind not included)

AVAILABLE SIZES

148x240cm
198x240cm
248x240cm
296x240cm

PLATINUM[®]

SUN & SHADE




Parts list

A 1x	B 1x	C 2x	D 2x	E 2x	F 1x
G 1x	H 1x	I 2x	J 2x		

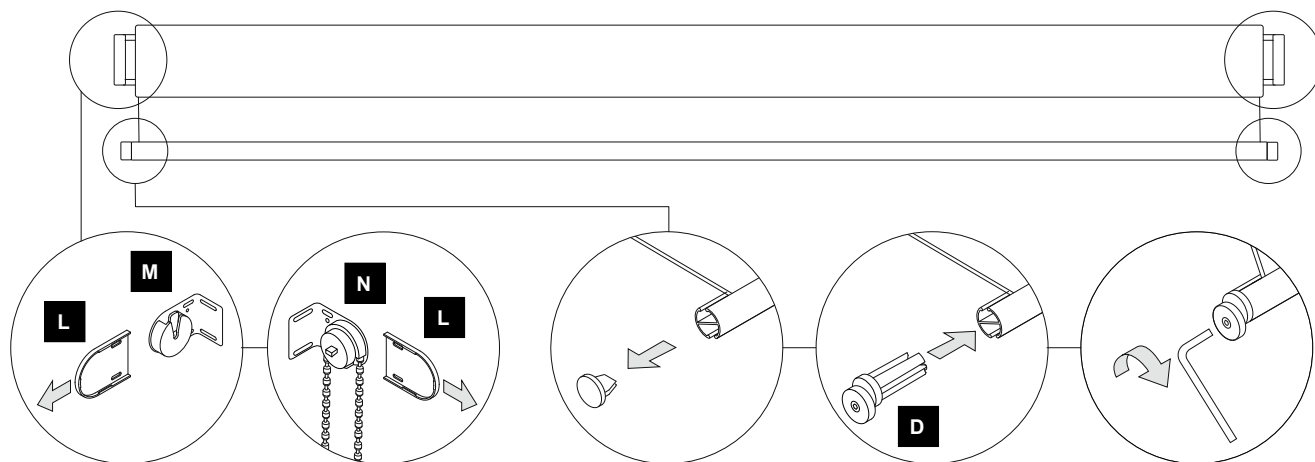
Parts outdoor roller blind (not included)

K 1x	L 2x	M 2x	N 2x
-------------	-------------	-------------	-------------

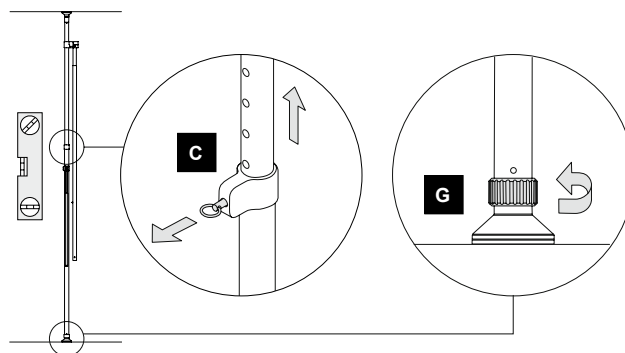
 Important. Follow the assembly instructions carefully.

PLATINUM[®]

SUN & SHADE

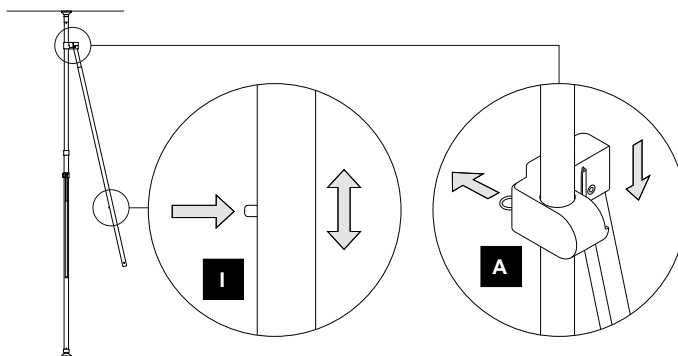


STEP 1




STEP 2

Set up Pole A.



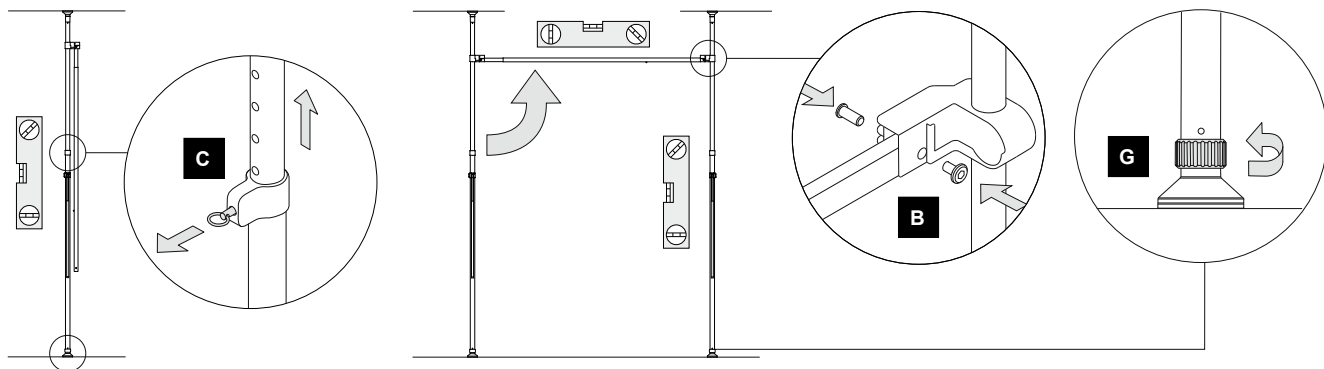
STEP 3

Adjust Connecting Arm.

 Important. Follow the assembly instructions carefully.

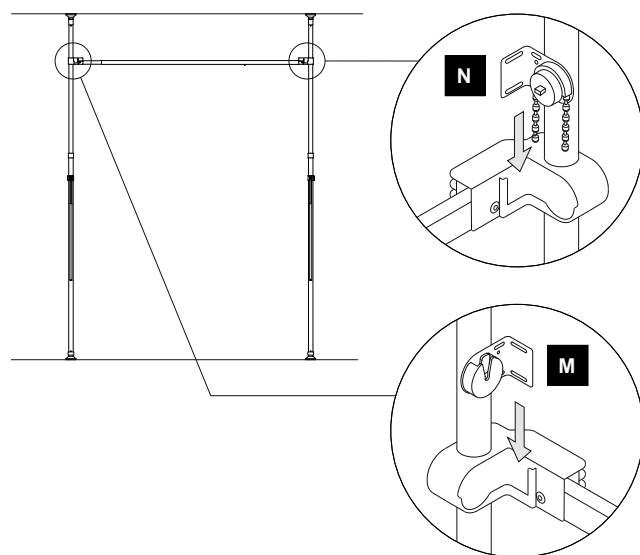
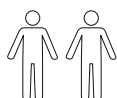
PLATINUM[®]

SUN & SHADE



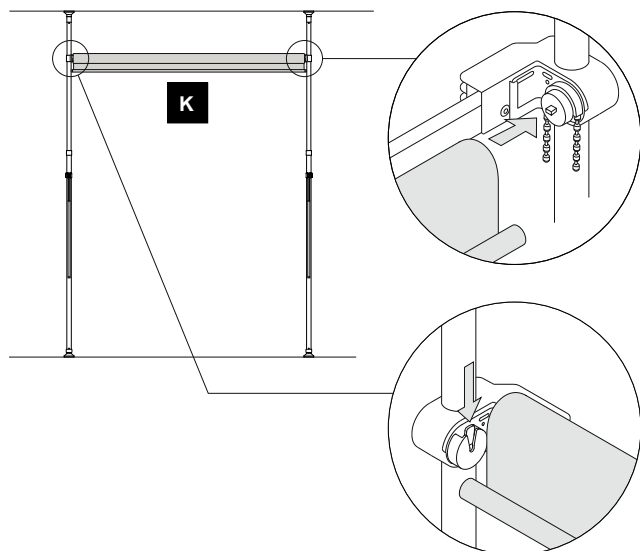
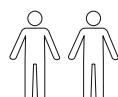
STEP 4

Set up Pole B and Connecting Arm.



STEP 5


Insert Unit Brackets.



STEP 6

Install shade.

 Be aware that the roller blind can fall down.

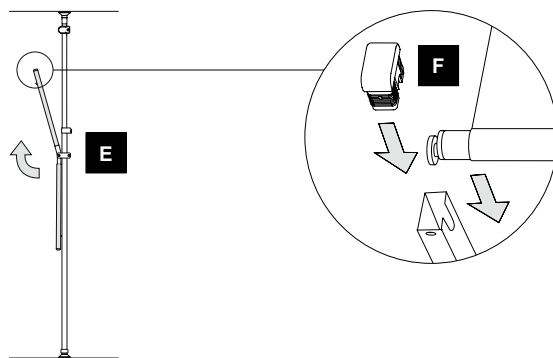
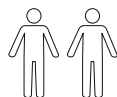
 Important. Follow the assembly instructions carefully.

PLATINUM[®]

SUN & SHADE

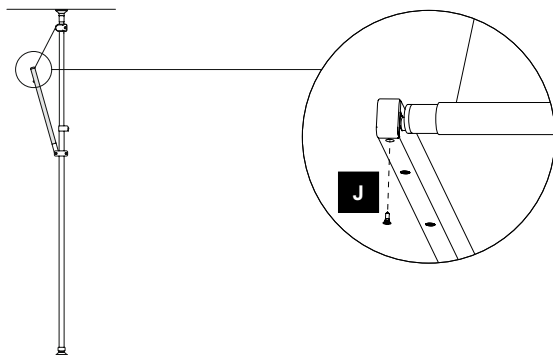
STEP 7

Lift Awning Arms up.



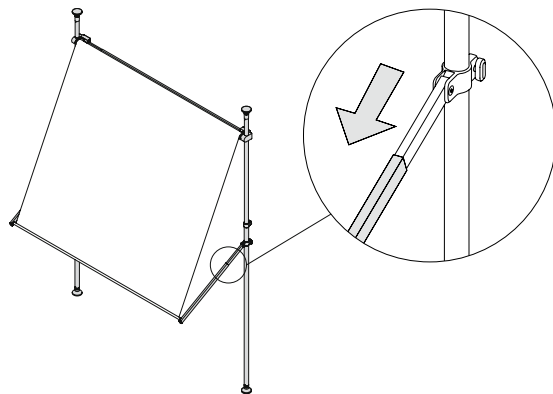
STEP 8

Put screws in bottom rail.



STEP 9

Extend awning arms to adjust shade.



Not tested for wind. Remember to roll up the roller blind before leaving the house.