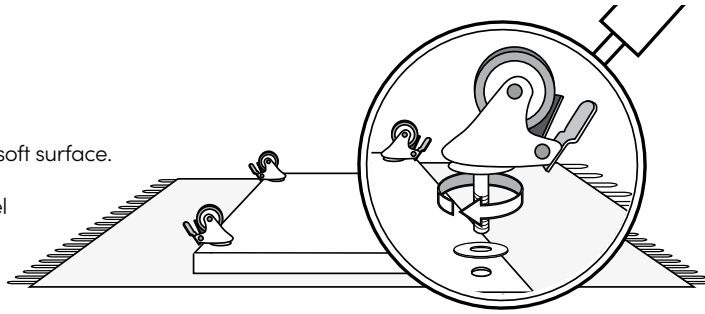


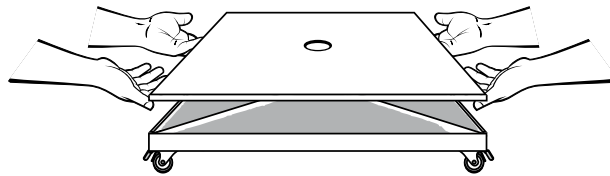
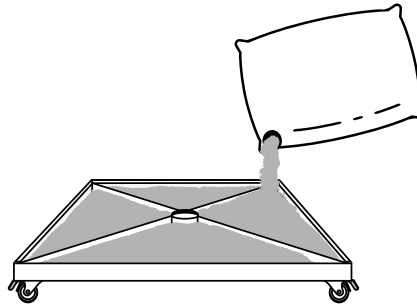
STEP 1

- 1: Place the base face down on a soft surface.
- 2: Put the breaks on the wheels
- 3: Put a washer between the wheel and the base
- 4: Insert and tighten the wheels by turning them clockwise.

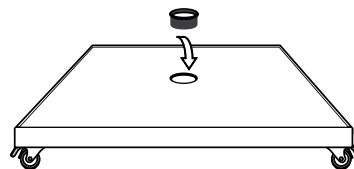


STEP 2

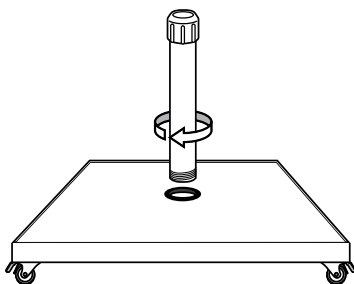
- 1: Place the base face up.
- 2: Fill the base with sand. **Do not fill higher than the inside edges and cross.**



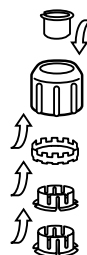
STEP 3



STEP 4



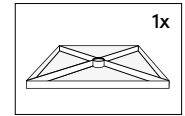
STEP 5



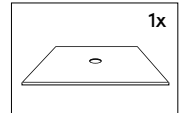
STEP 6

Remove plastic rings to adapt to the size of your parasol pole.

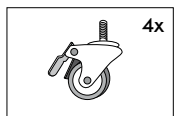
Parts list



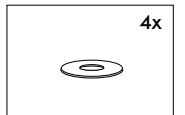
Base



Ceramic tile



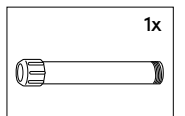
Swivel wheels



Washer

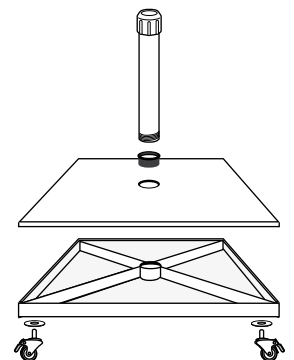


Cover ring



Aluminum tube with adapter

Overview



Handle with care. If needed, remove the ceramic tile with a flat head screwdriver.