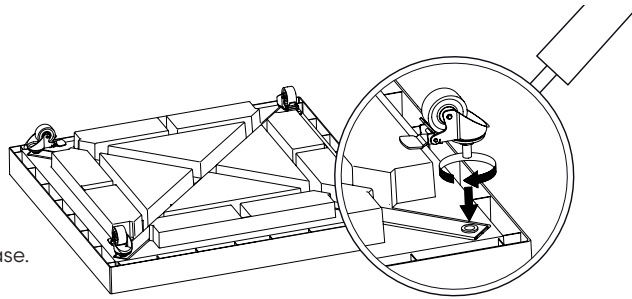


Instructions

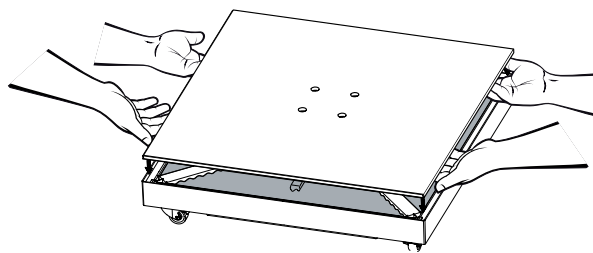
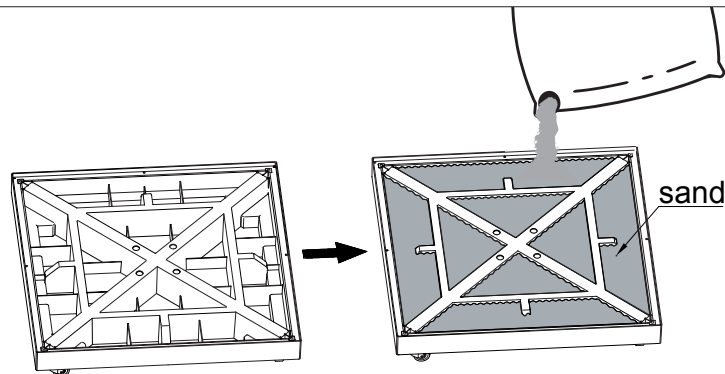
STEP 1

- 1: Place the empty base face down on a soft surface.
- 2: Put the **breaks** on the wheels.
- 3: Put a washer between the wheel and the base.
- 4: Insert and tighten the wheels by turning them clockwise.

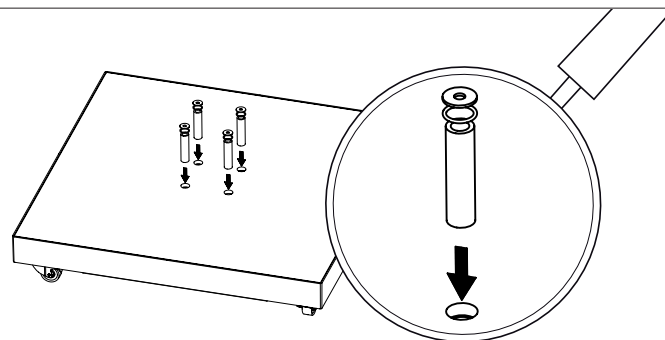


STEP 2

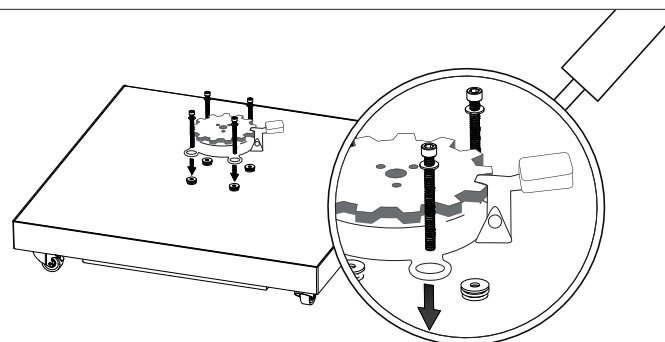
- 1: Place the base face up.
- 2: Fill the base with sand.
Do not fill higher than the inside edges and cross.



STEP 3



STEP 4

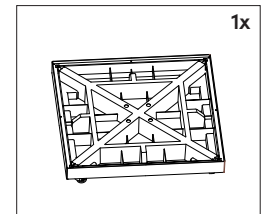


STEP 5

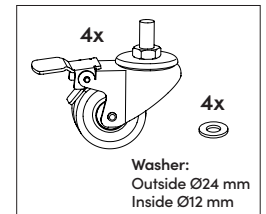
Turning base not included.

Parts list

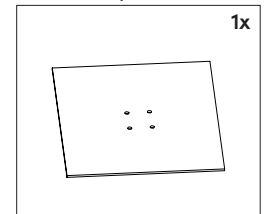
Base



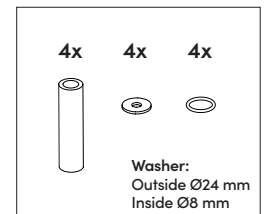
Swivel wheels & washer



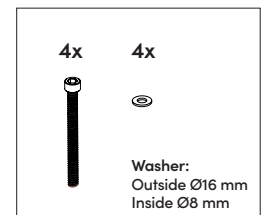
Ceramic top



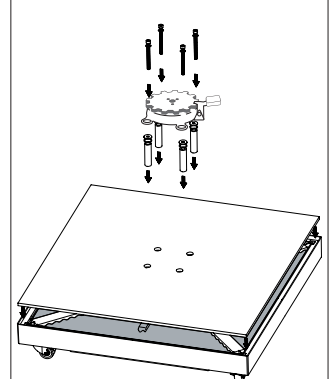
Tubes & washer set



Screws & washer set



Overview



Handle with care. Follow the assembly instructions for the base and the free-arm parasol. Remove the ceramic top if needed with a flat head screwdriver.