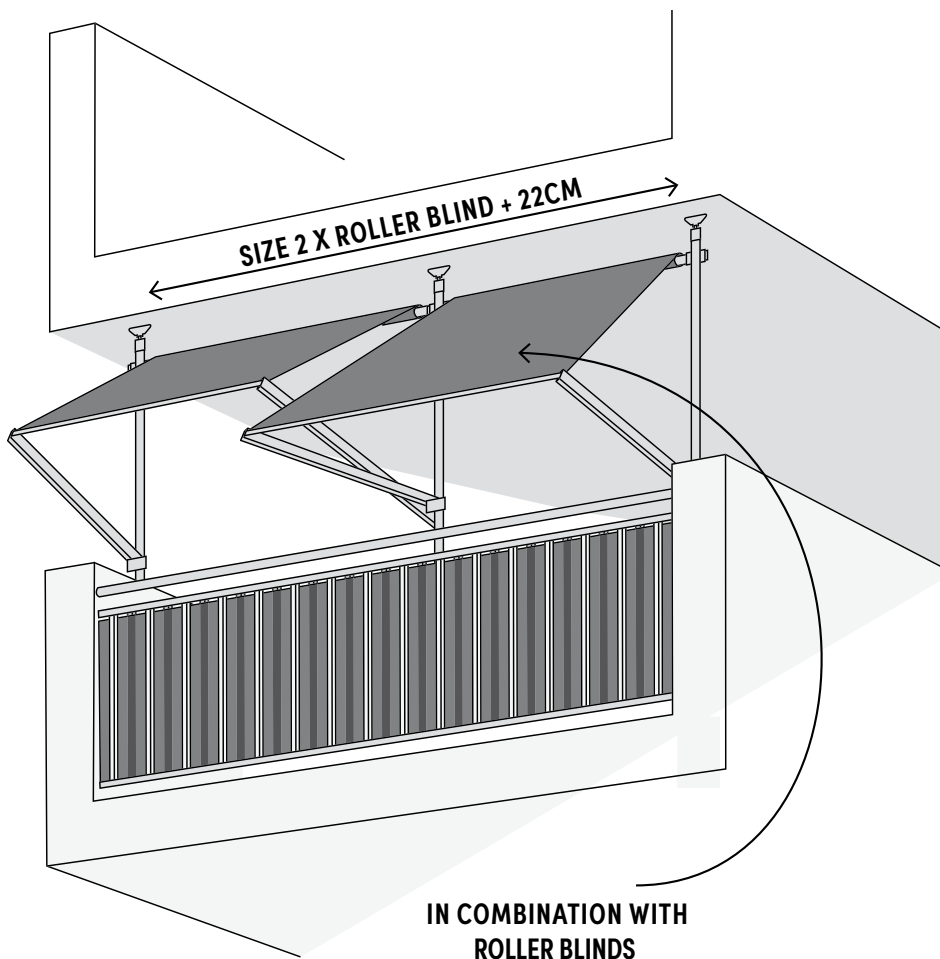


FLEX FRAME
CONNECTION PART

Article number: 1951



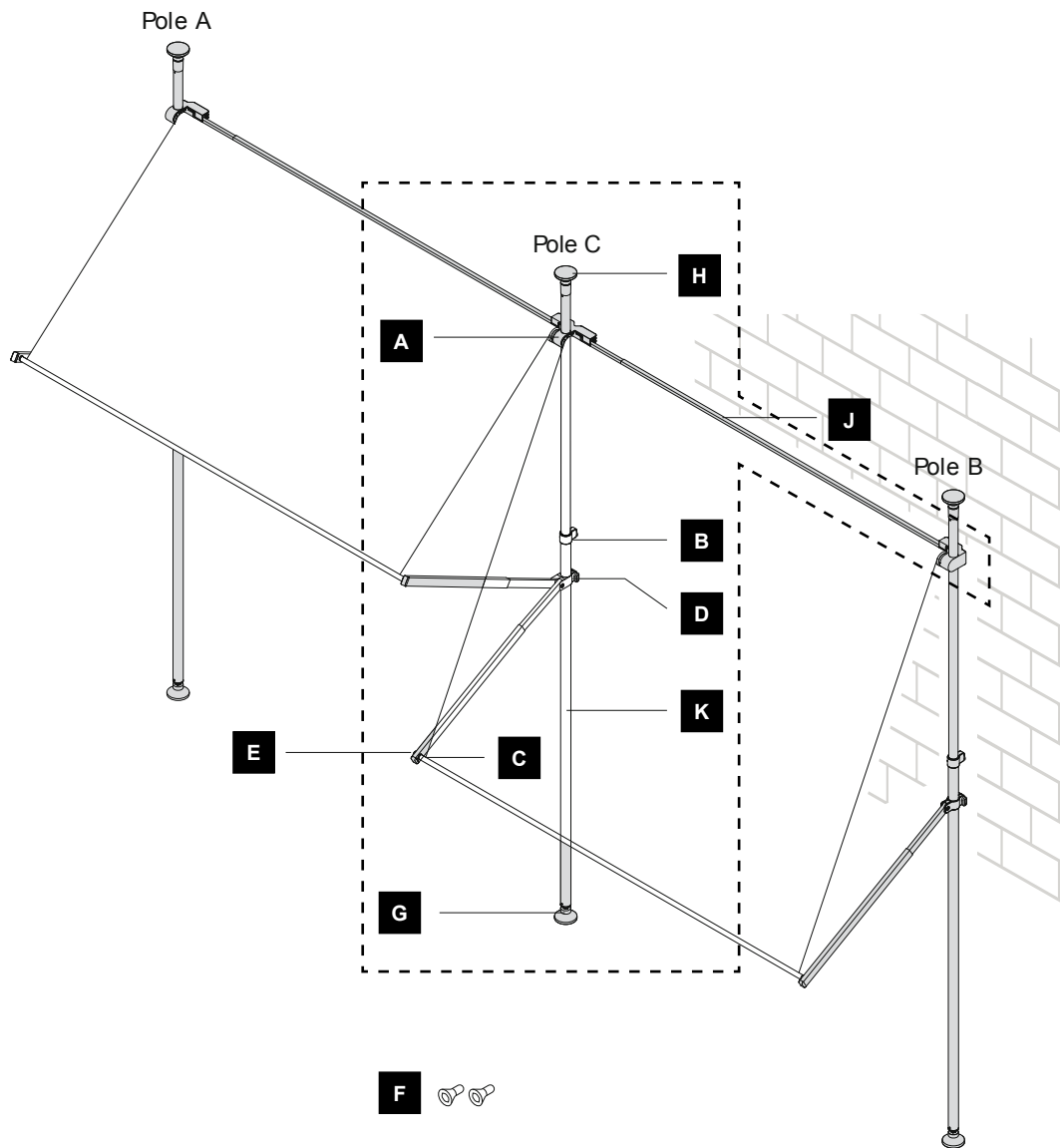
A DOUBLE FLEX FRAME IN COMBINATION WITH 2 ROLLER BLINDS
(Roller blinds not included)

AVAILABLE SIZES

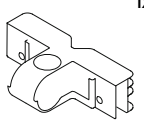

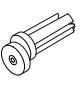
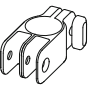


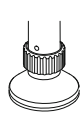
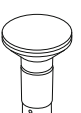
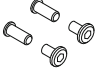
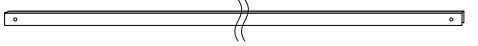
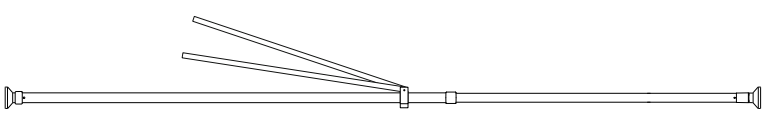
148x240cm
198x240cm
248x240cm
296x240cm


PLATINUM[®]

SUN & SHADE



Parts list

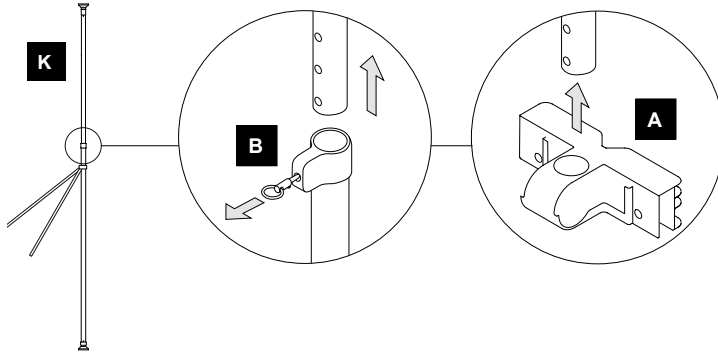
A  1x	B  1x	C  2x	D  1x	E  2x	F  2x
G  1x	H  1x	I  2x	J  1x		
K  1x					

 Important. Follow the assembly instructions carefully.

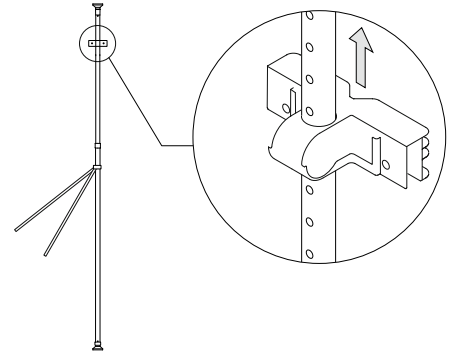
PLATINUM[®]

SUN & SHADE

Pole C
(Connection Part)



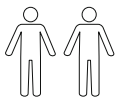
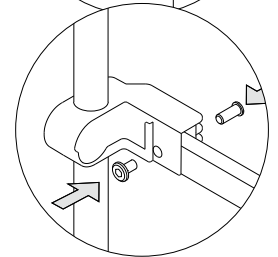
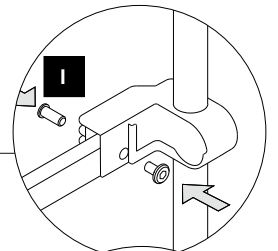
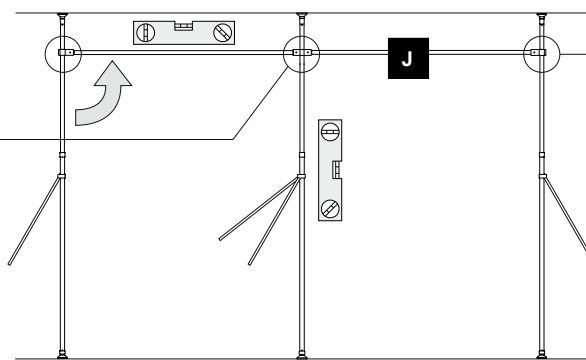
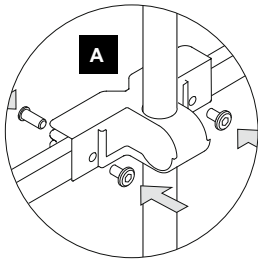
Pole C
(Connection Part)



STEP 1

1. Pull pin connector B to separate part K.
2. Attach connector A to upper tube of part K and pull it up.

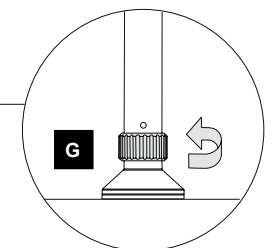
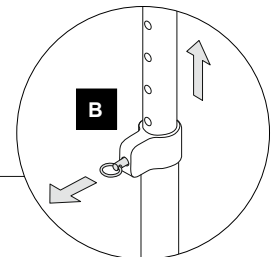
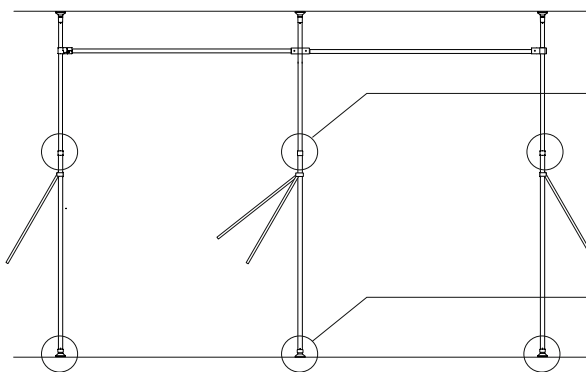
Pole A (Flex Frame) **Pole C** (Connection Part) **Pole B** (Flex Frame)



STEP 2


1. Place pole C in the middle of pole A and pole B.
2. Lift up connecting arm from pole A and connect with screw to connector A on pole C.
3. Attach connection arm J between pole C and pole B with screws I.

Pole A (Flex Frame) **Pole C** (Connection Part) **Pole B** (Flex Frame)



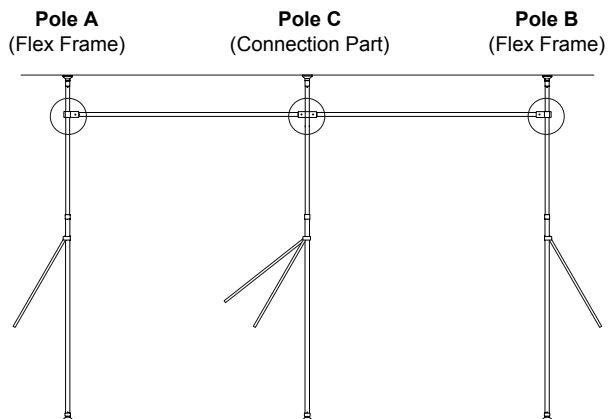
STEP 3

Adjust height with connector B and part G until poles fit tight between ceiling and floor.

 Important. Follow the assembly instructions carefully.

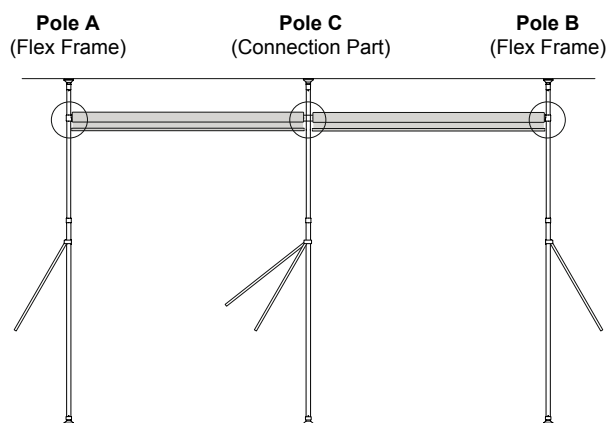
PLATINUM[®]

SUN & SHADE



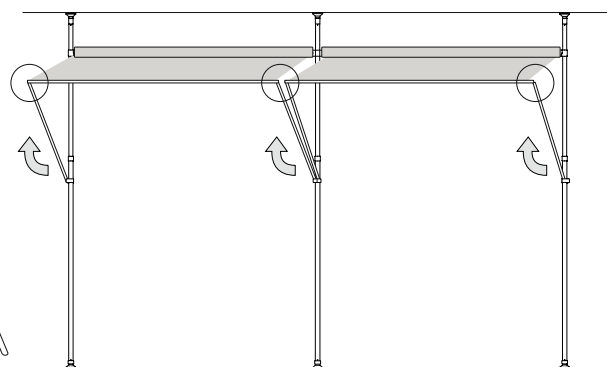
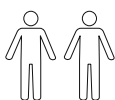
STEP 4

Insert unit brackets.



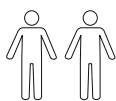
STEP 5

Install shades.




STEP 6

Lift awning arms up and adjust E.

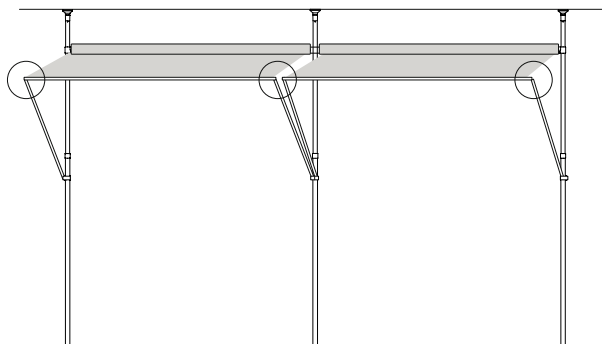


 Be aware that the roller blind can fall down.

 Important. Follow the assembly instructions carefully.

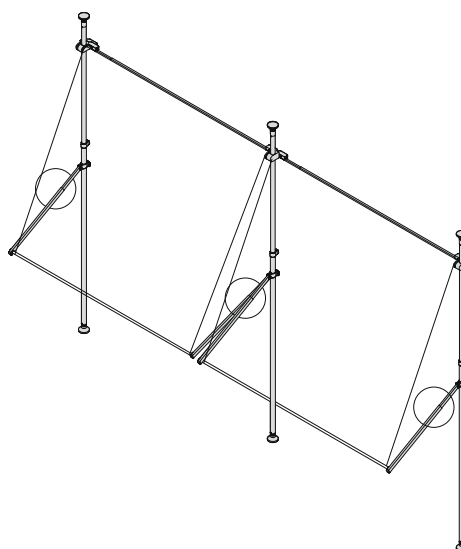
PLATINUM[®]

SUN & SHADE



STEP 7

Put screws in bottom rail of awning arms to fix E.



STEP 8

Extend awning arms to adjust shade.



Not tested for wind. Remember to roll up the roller blind before leaving the house.