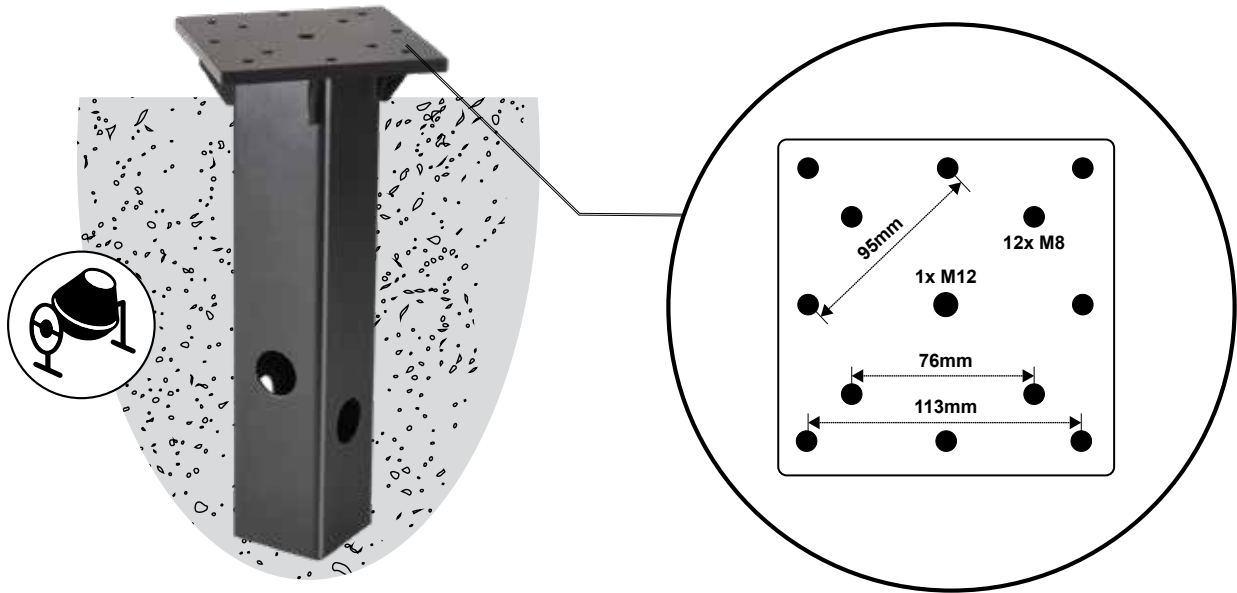


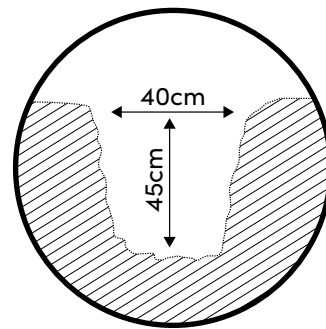
IN-GROUND BASE CONCRETE

Article number: 6906



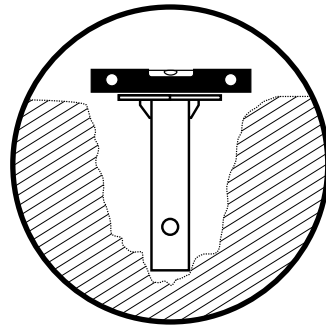
STEP 1

Excavate a hole measuring 40x40x45 cm in size.



STEP 2

1. Position the in-ground base and securely attach a plank on top to ensure it is level with your patio or lawn.
2. Verify that the anchor is perfectly level.



PLATINUM[®]

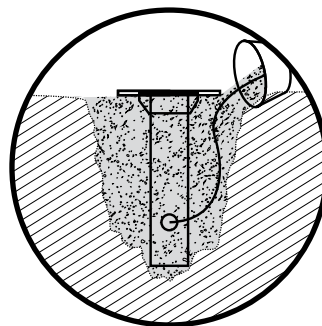
SUN & SHADE



STEP 3

1. Fill the hole with 150 kg of concrete mortar, compacting it down.
2. Gently tap the concrete to release any trapped air bubbles.

Leave some space at the top for repositioning your tiles or grass.



STEP 4

Allow the concrete to cure by setting a timer in accordance with the instructions on the concrete packaging. Once the concrete is fully cured, follow the provided instructions to assemble your parasol.

