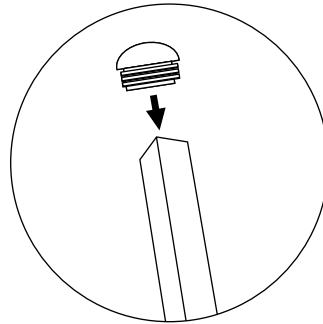


Use concrete
for better fixation

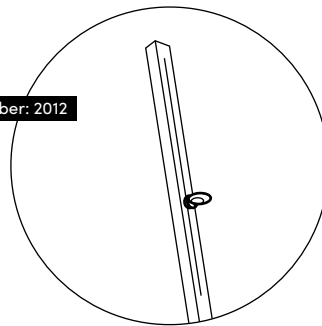
STEP 1



STEP 2

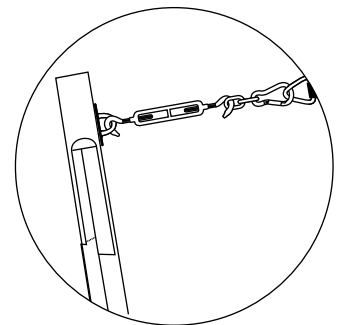
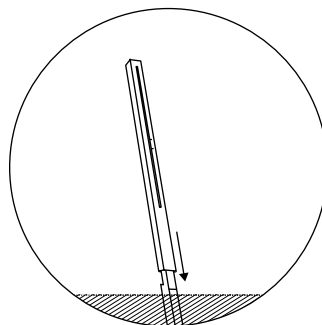
Put cap on top.

Article number: 2012



STEP 3

Use with article 2012 pole with flex eye (pole not included).



STEP 4

Slide pole over pole anchor and attach hook to flex eye.
