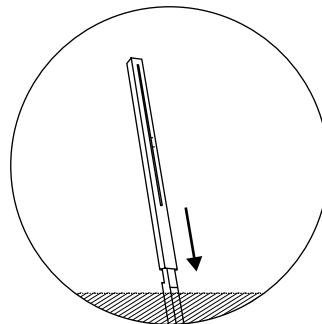


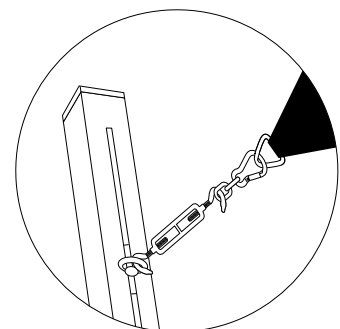
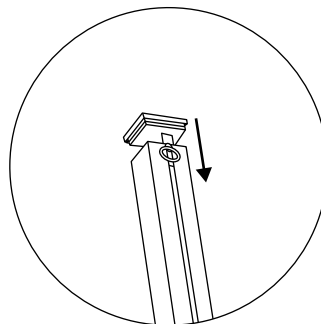
Use concrete
for better fixation

Use with article 2013 Pole Anchor
(not included).



STEP 1

Slide Flex Pole over Pole Anchor.



STEP 2

1. Push cap on top
2. Attach hook to flex eye and adjust height and tension.