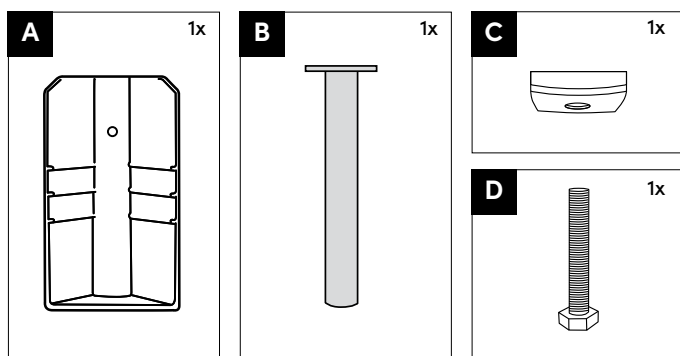
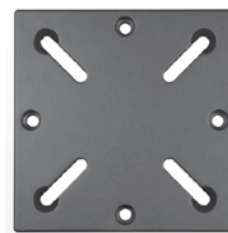


Parts list



Separate adaptor plate available for different holes sizes (art. 6910)

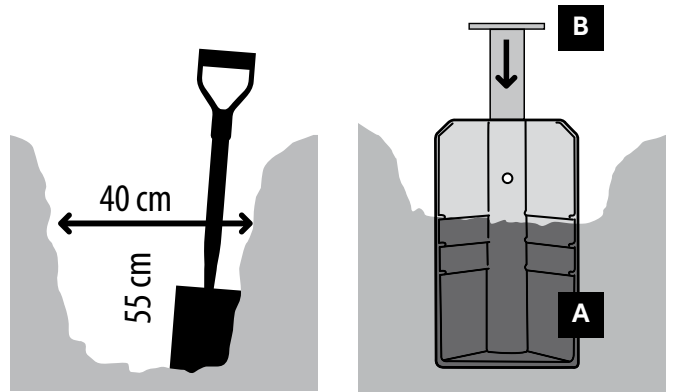


PLATINUM[®]

SUN & SHADE

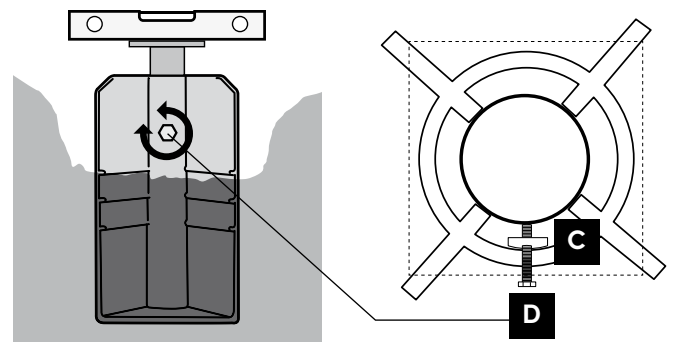
STEP 1

1. Excavate a hole measuring 40x40x55 cm in size.
2. Position the in-ground base and secure it by filling half of the hole.
3. Slide in the adapter pole.



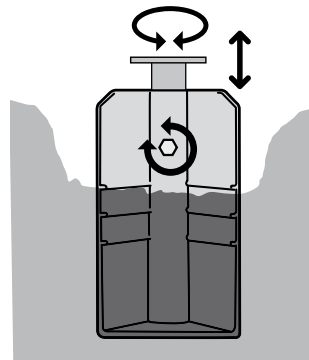
STEP 2

1. After sliding in the adapter pole, check how far part D needs to be screwed in to be pressing against the inside of the in-ground base and determine the height.
2. Take out the adaptor pole.
3. Secure parts C and D hand tight. The round side of part D should be pressing against the inside of the in-ground base.
4. Slide in the adapter pole again.



STEP 3

Slide in the adapter pole again and double check the position and height of the adapter pole again.



STEP 4

Fill the rest of the hole and tap the ground firmly.
Leave some space at the top for repositioning your tiles or grass.

