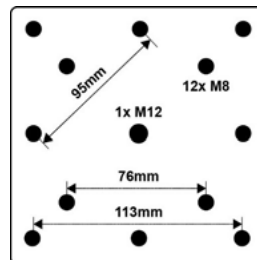
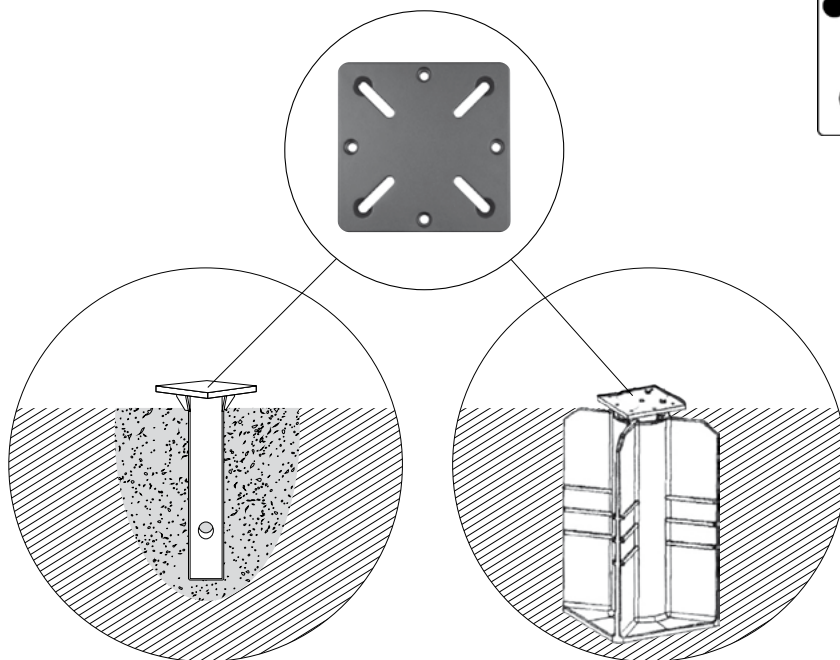
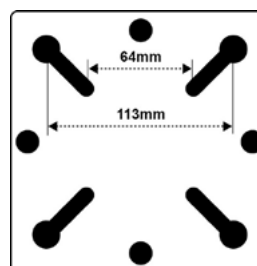


The adaptor plate is for free-arm parasols which do not fit directly on parasol bases. Free-arm parasols with exactly a hole spacing of 7.6/9.55/11.3 can be placed directly on Platinum Sun & Shade bases (without the adaptor).



### Adaptor for Platinum In-ground bases

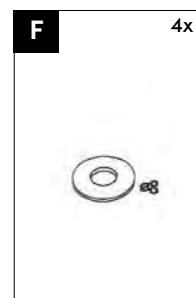
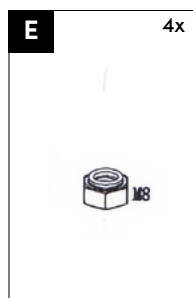
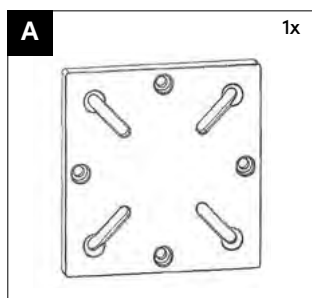
The adaptor can be used on the in-ground bases for different hole distances between a minimum of 6.4 and a maximum of 11.3 cm.

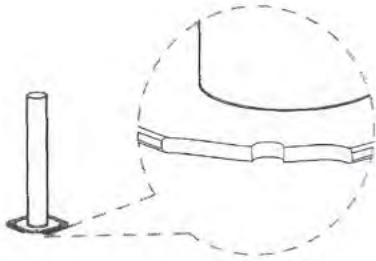


6906 In-ground Base Concrete  
(not included)

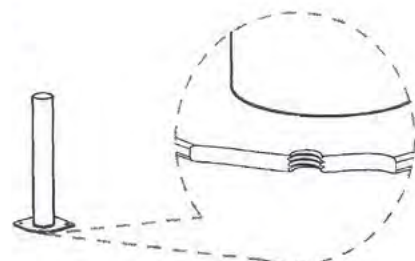
6900 In-ground Base  
(not included)

### Parts list



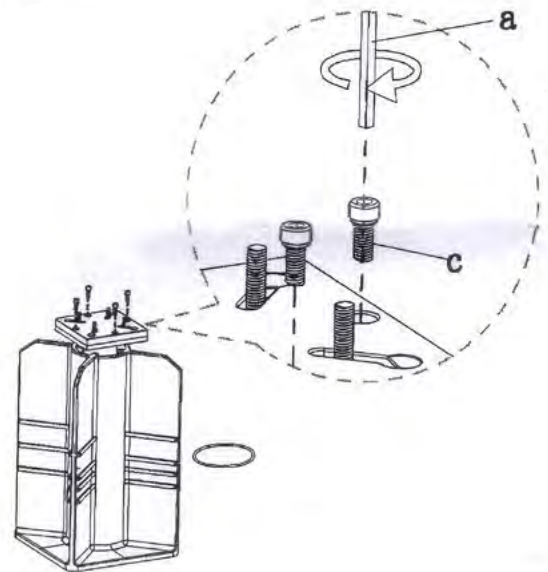
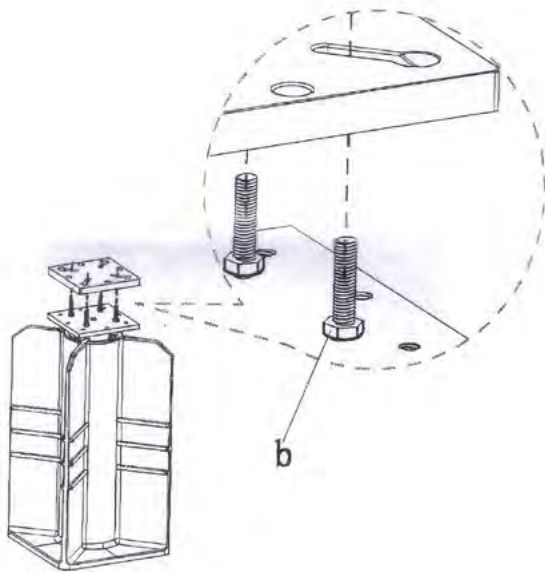


Your parasol base does not have threading, follow option A

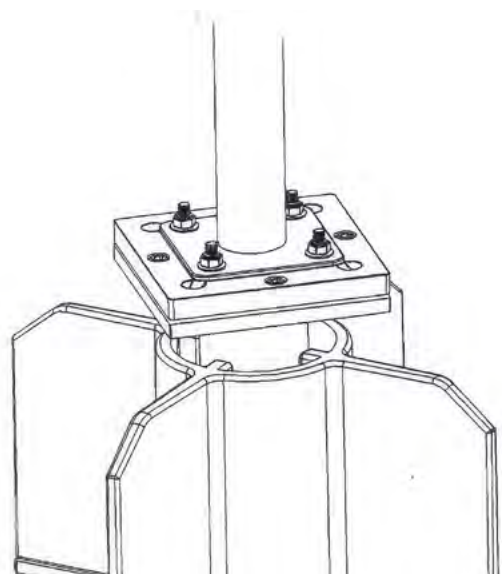
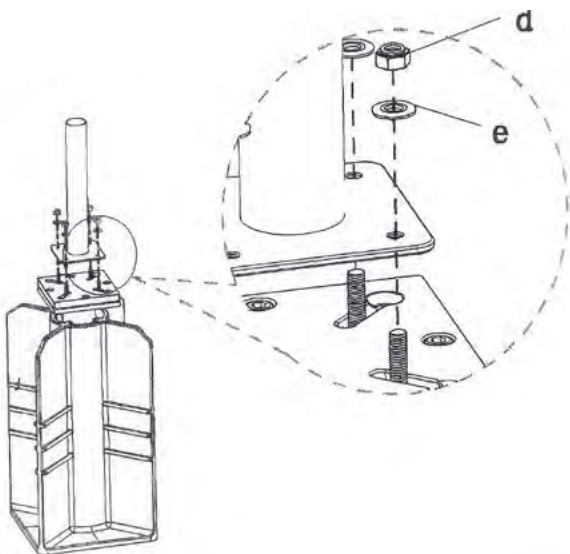


Your parasol base has threading, follow option B

**A**

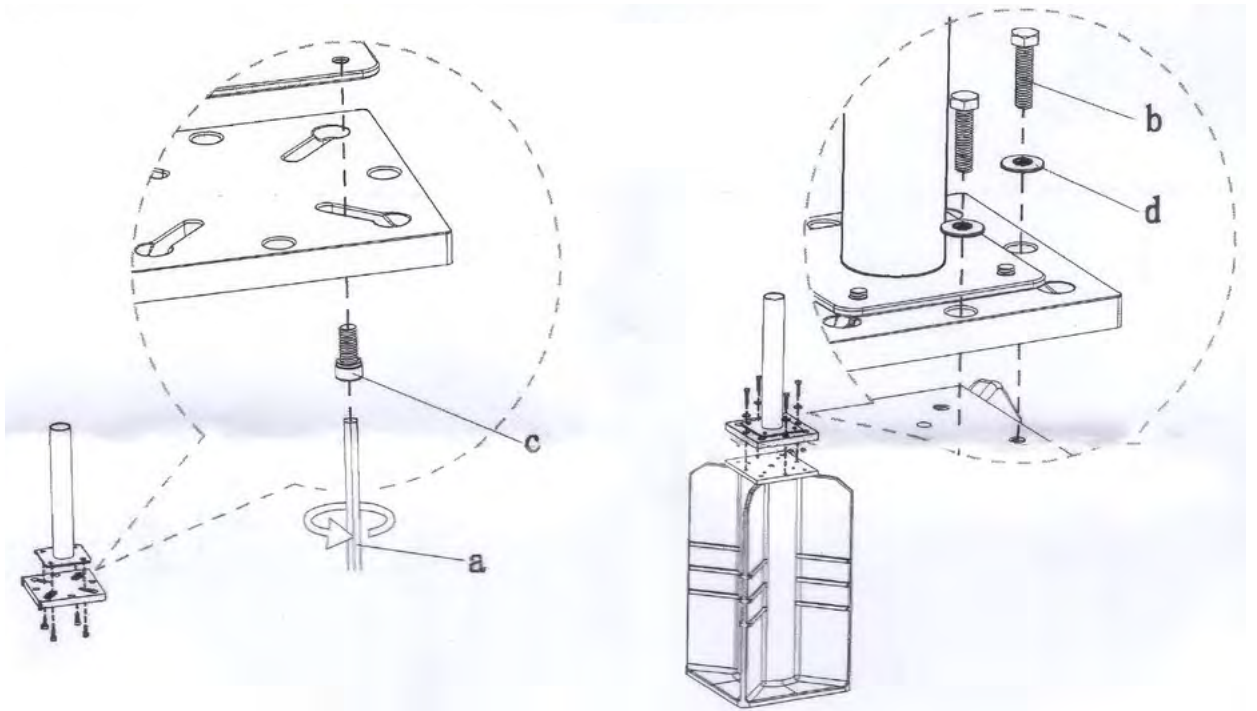


STEP 1

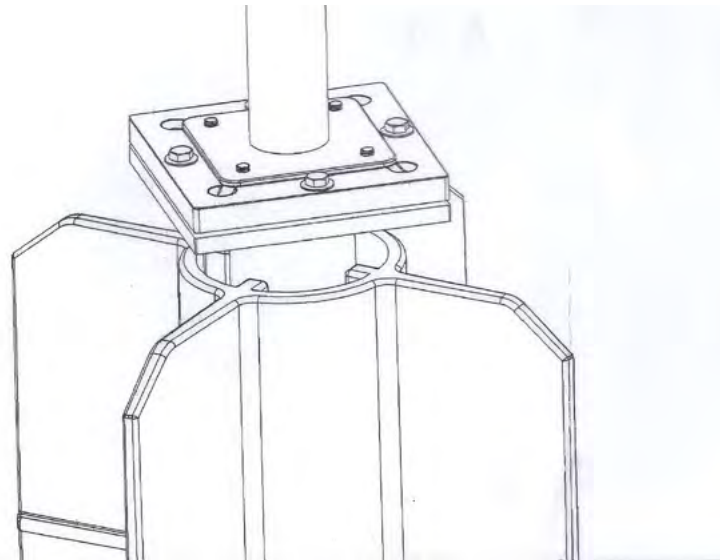


STEP 2

B



STEP 1



STEP 2

### Adaptor for Platinum granite and ceramica bases

If desired the adaptor can also be used on our granite bases and ceramica bases with extra long countersunk screws. E-mail [service@platinum.nl](mailto:service@platinum.nl) and ask for art. 6910 (4x M8x80). The adaptor plate can then be used for different hole distances between 6.4 and 9.8 cm.

